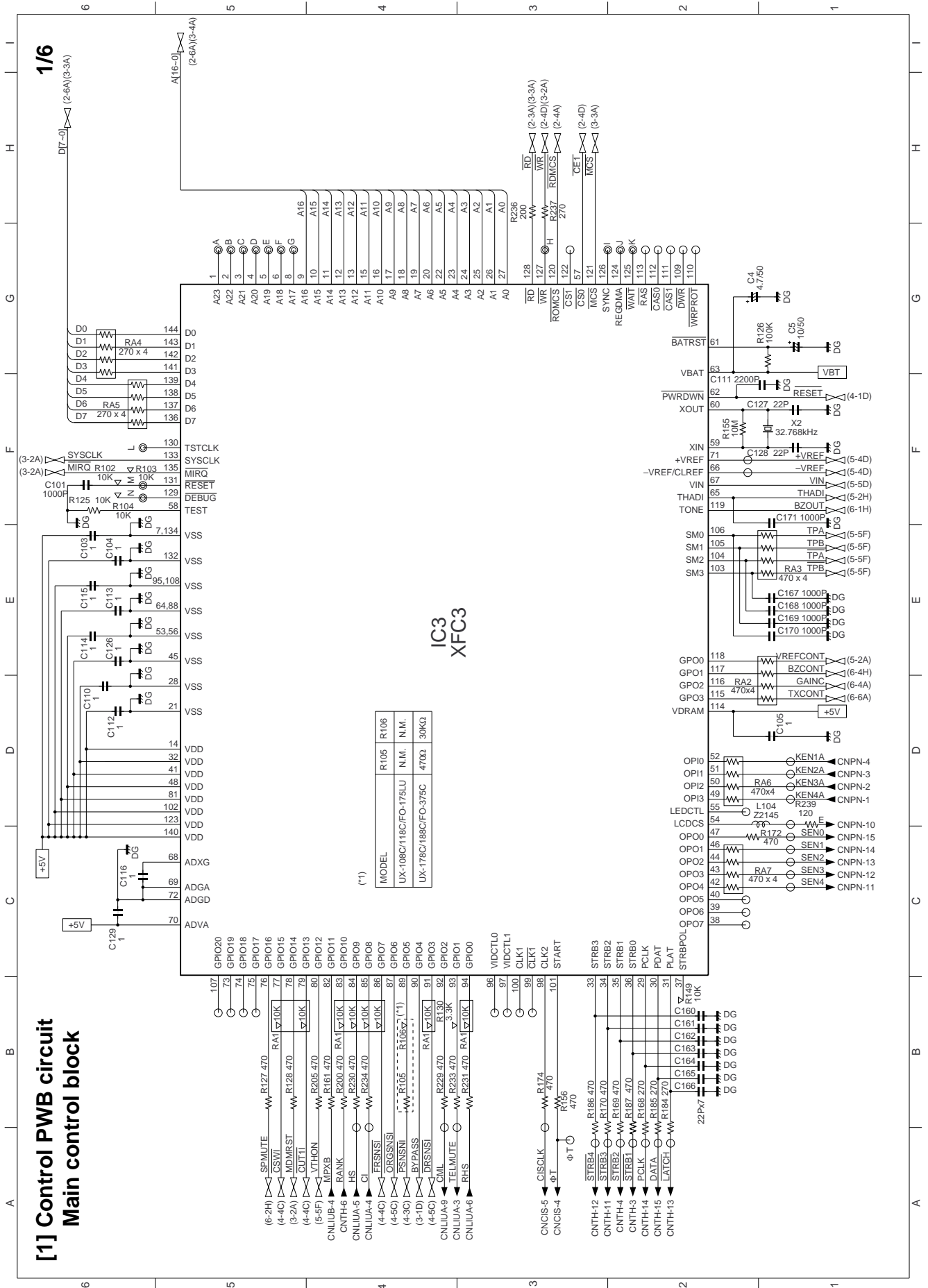
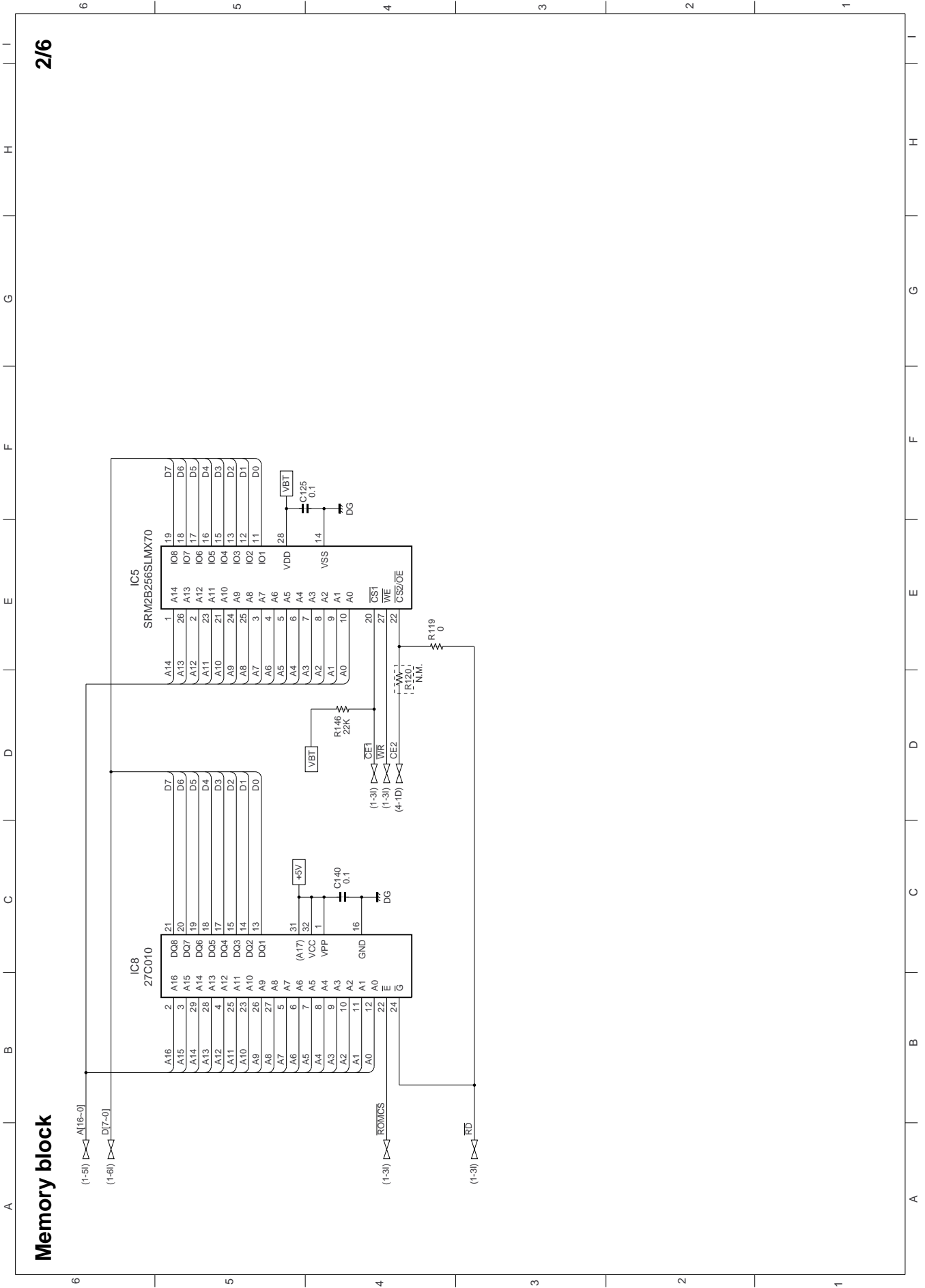


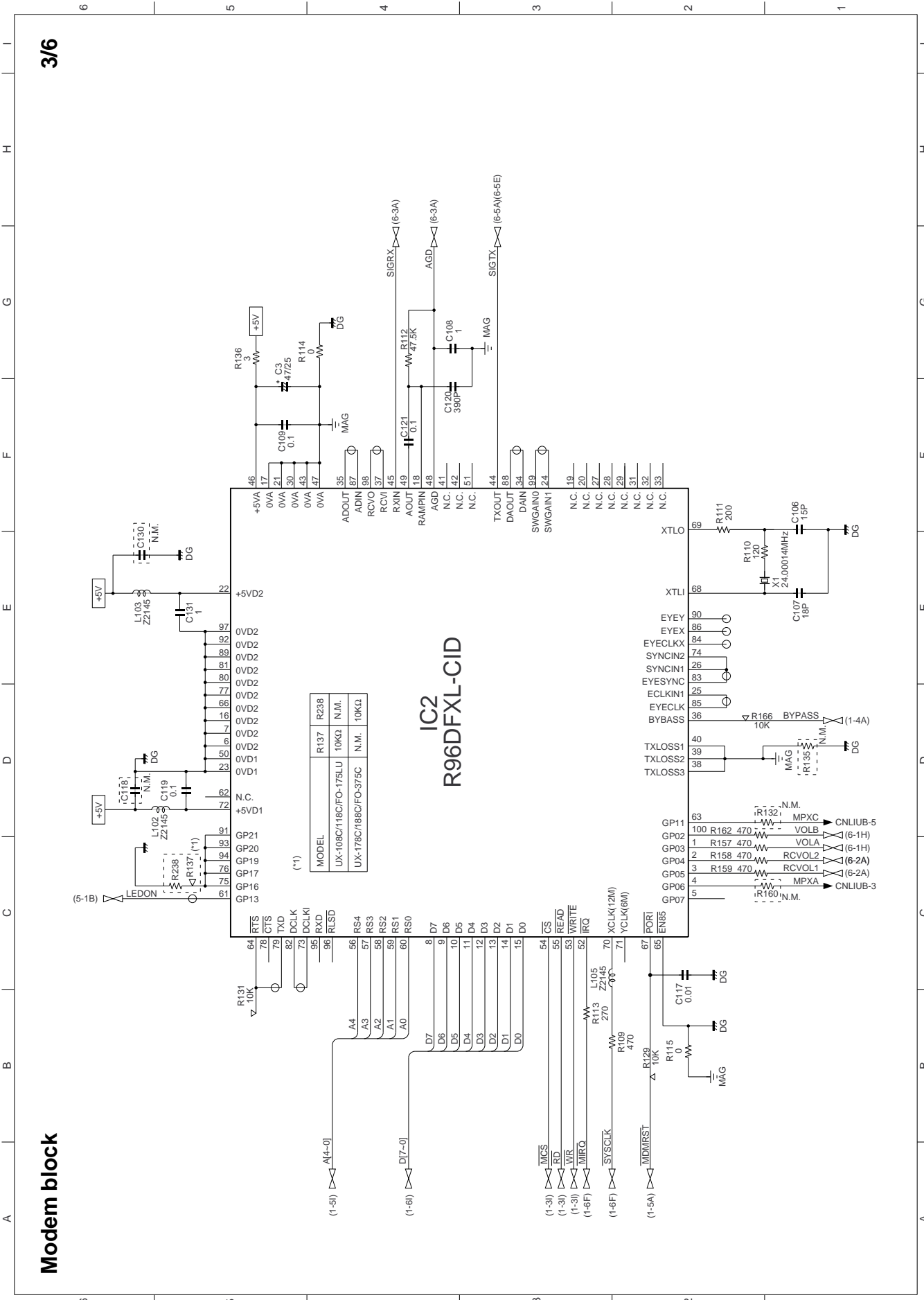
CHAPTER 6. CIRCUIT SCHEMATICS AND PARTS LAYOUT

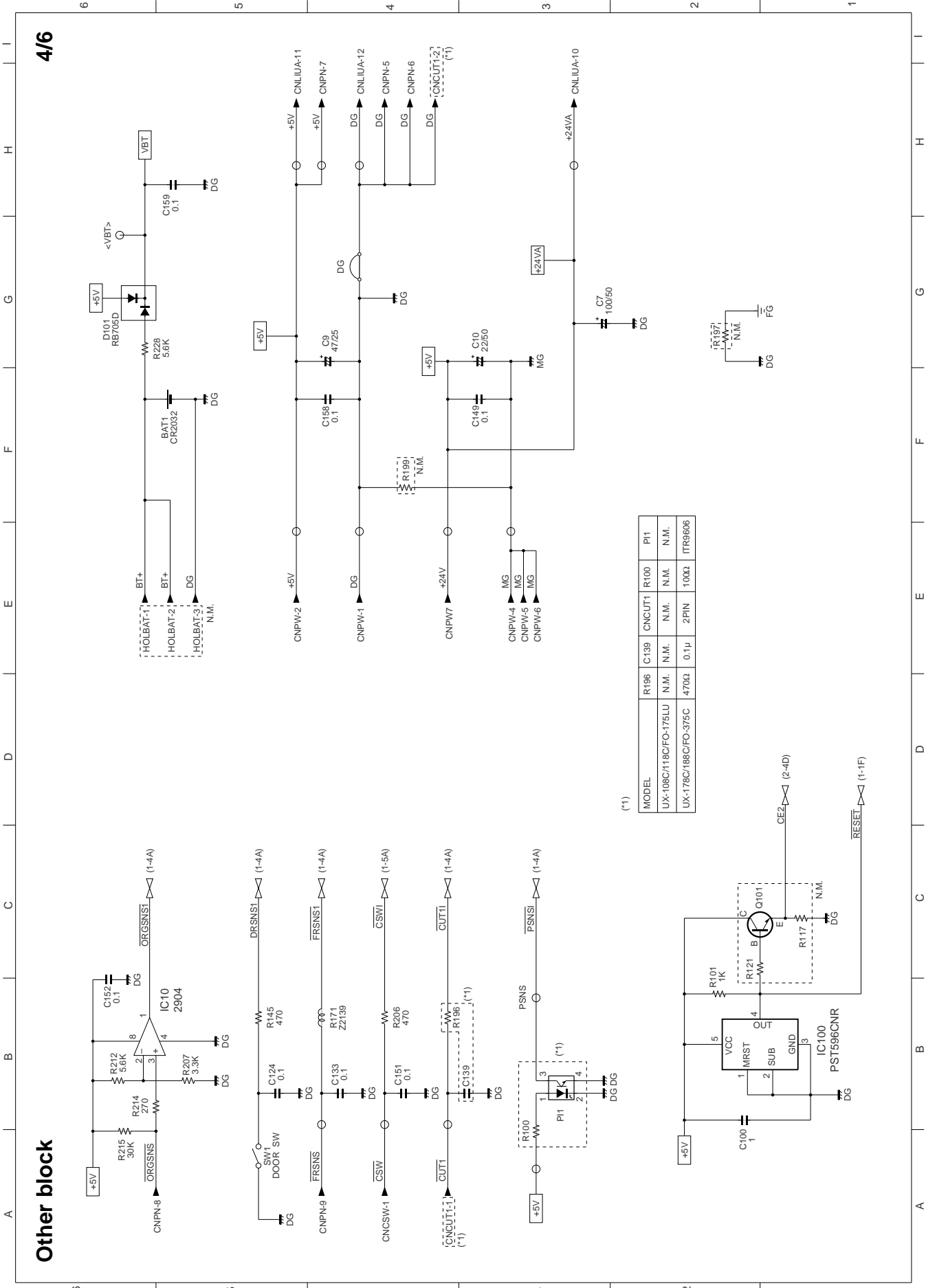




3/6

Modem block





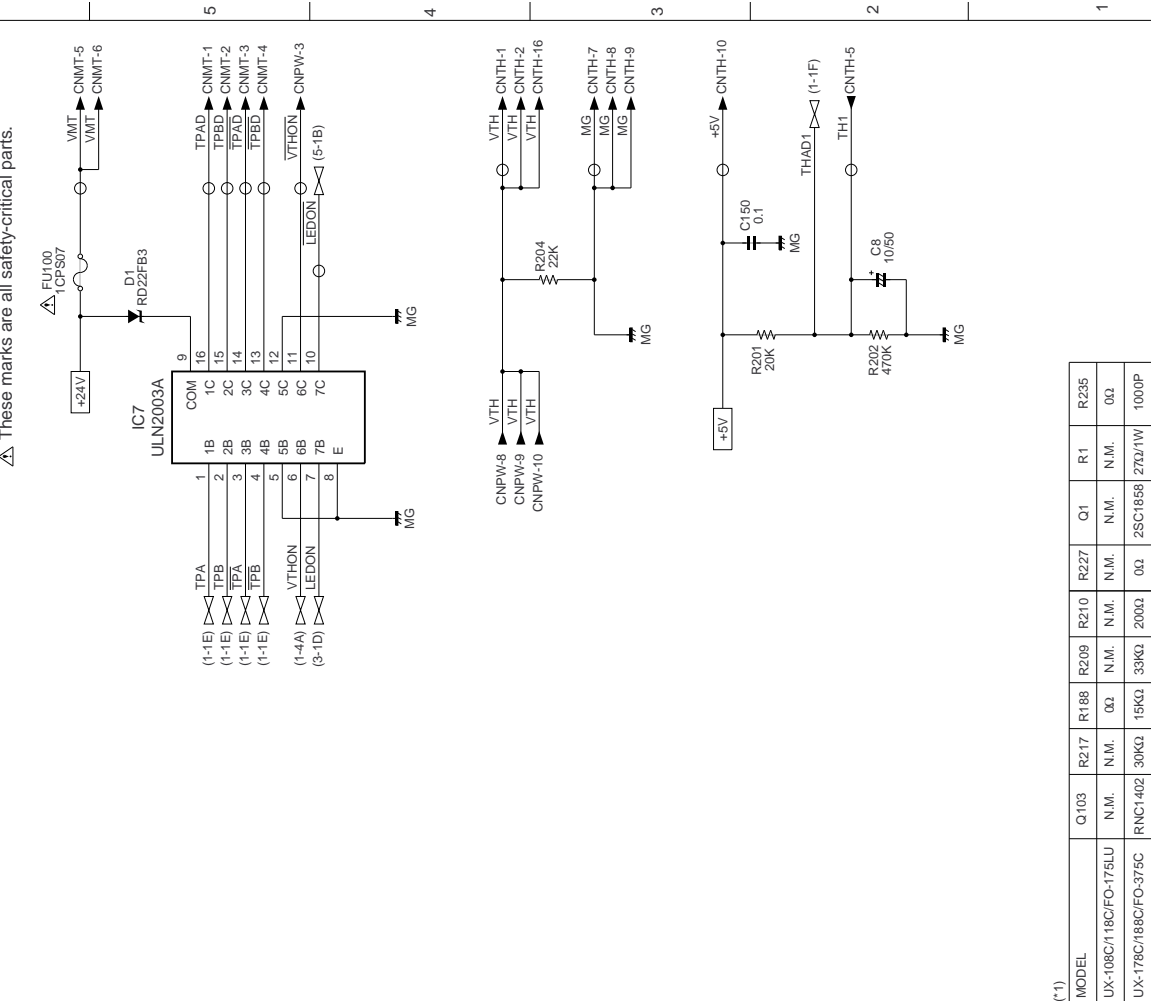
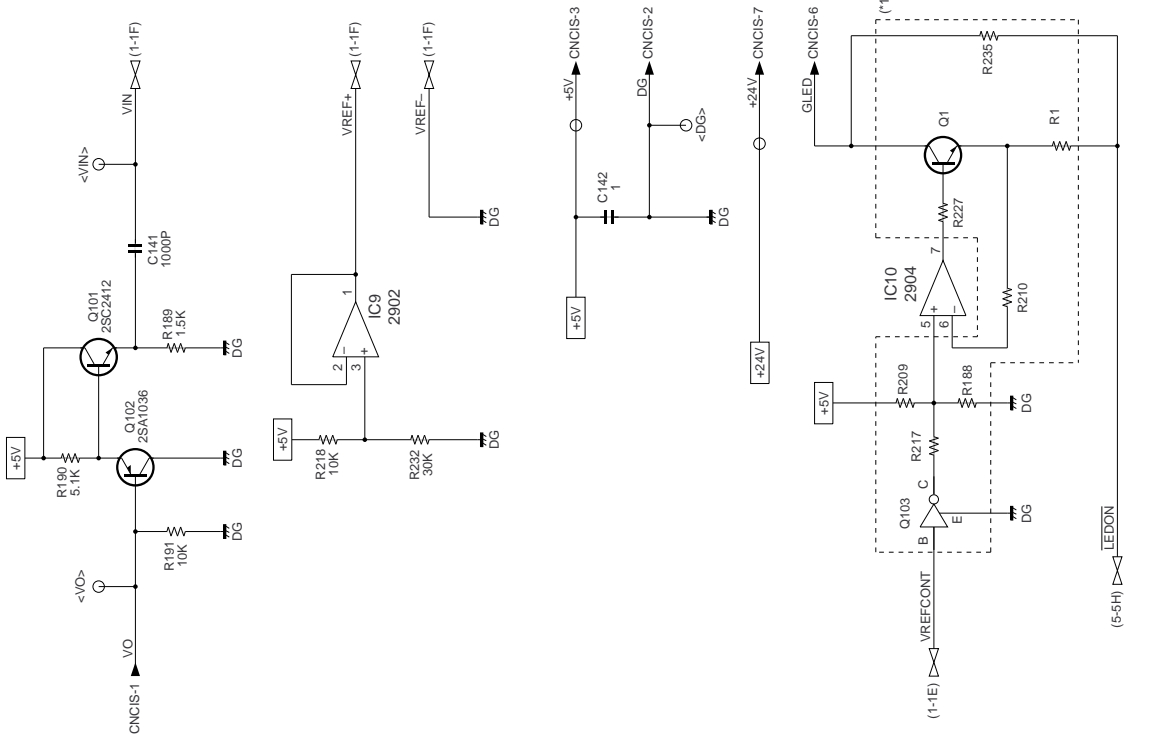
4/6

Other block

Video processing/Motor drive thermal block

5/6

NOTE:
 These marks are all safety-critical parts.

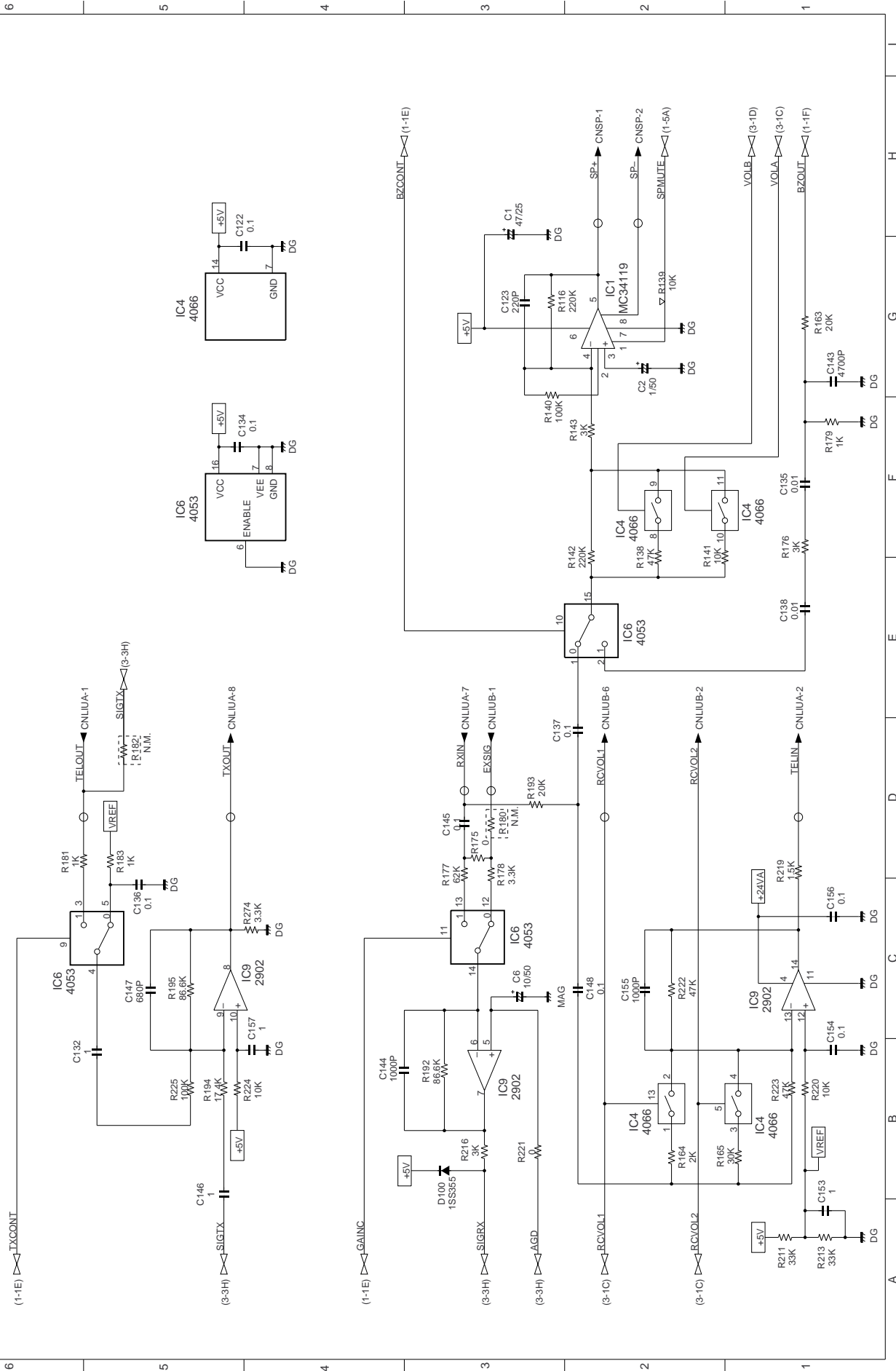


(*1)

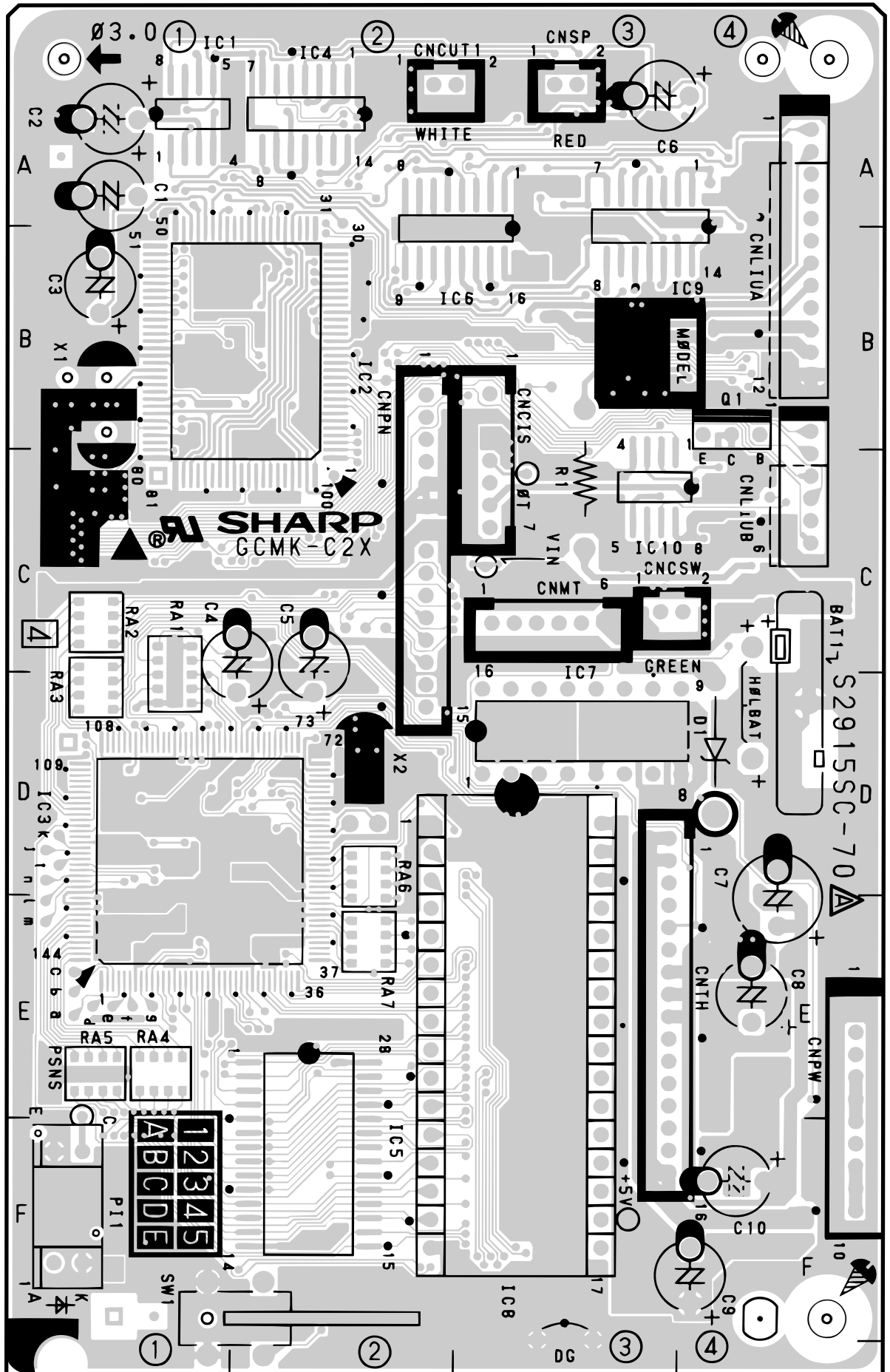
MODEL	Q103	R217	R188	R209	R210	R227	Q1	R1	R235
UX-108C/118C/FO-175LU	N.M.	N.M.	Ω	N.M.	N.M.	N.M.	N.M.	N.M.	Ω
UX-178C/188C/FO-375C	RNC1402	30KΩ	15KΩ	33KΩ	200Ω	Ω	2SC1858	27Ω/1W	1000P

Analog signal block

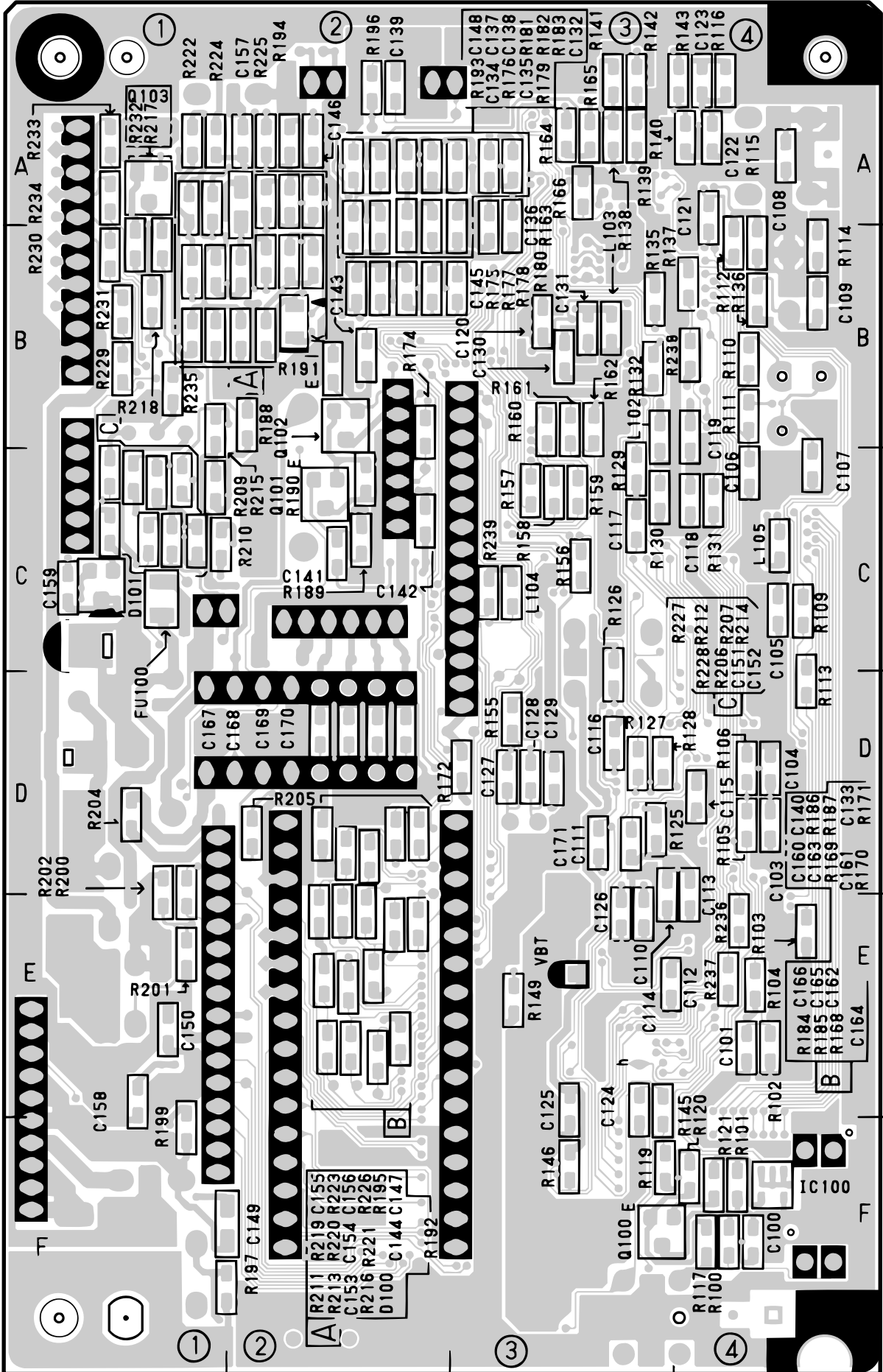
6/6



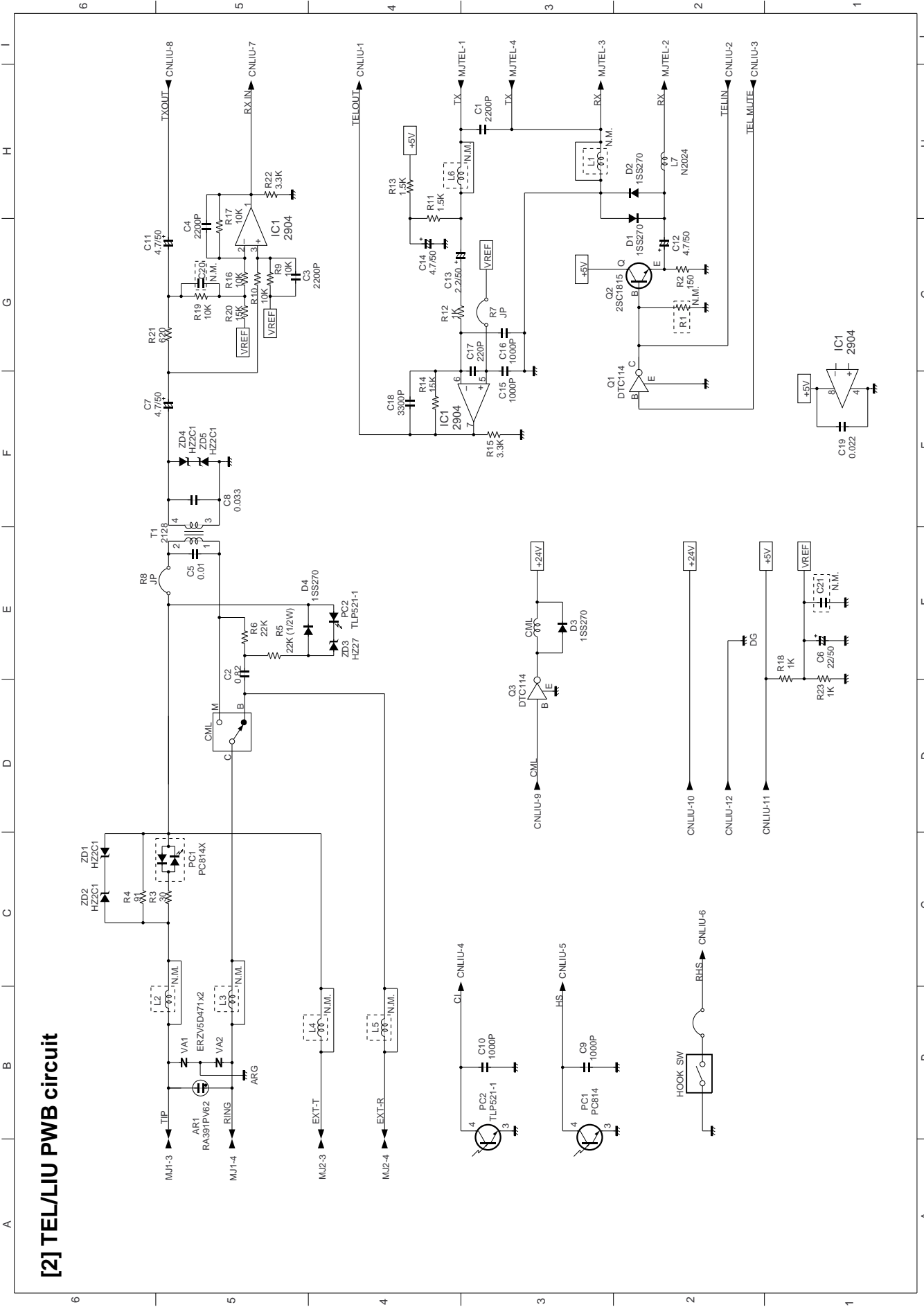
Control PWB parts layout (Top side)



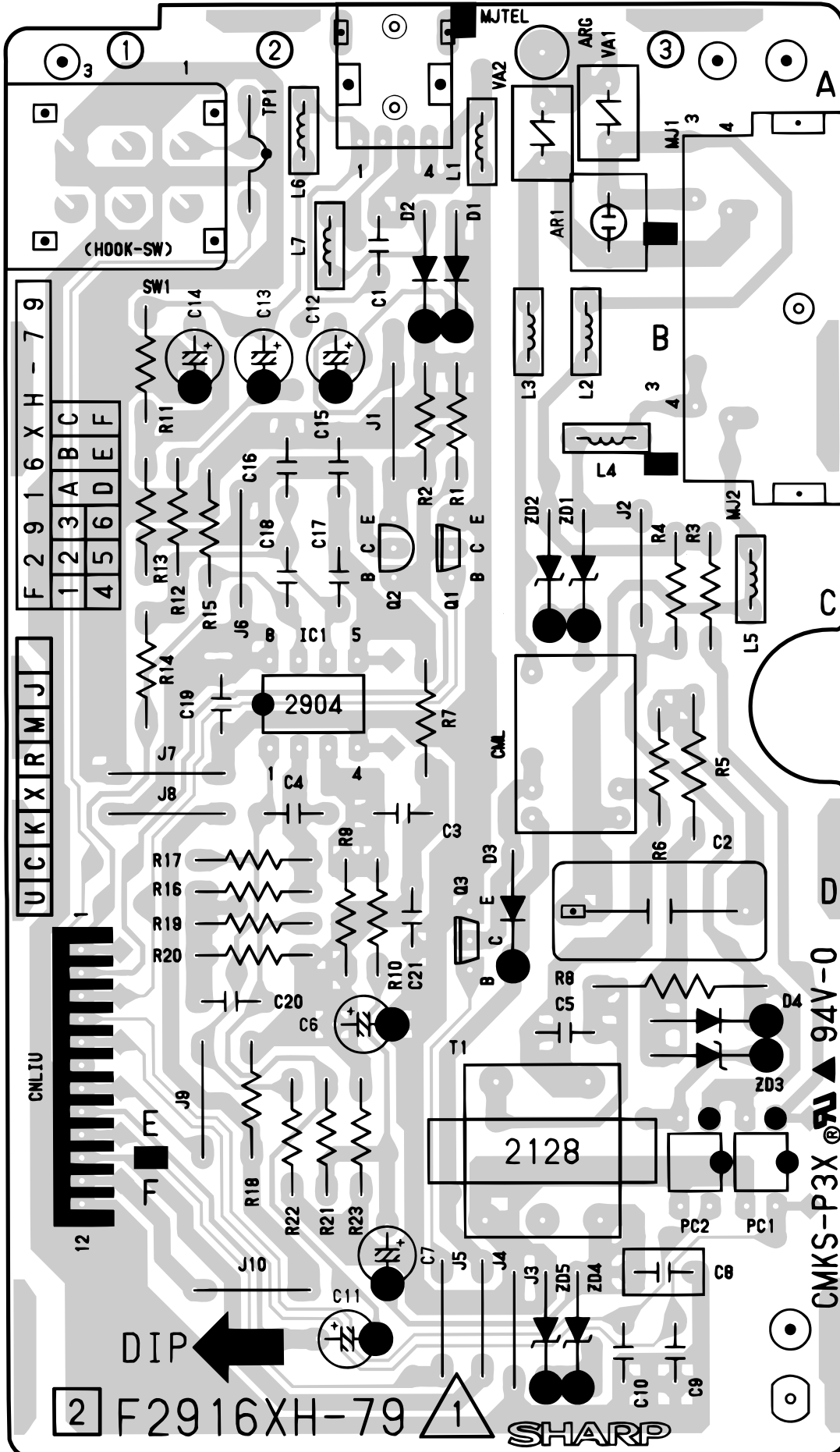
Control PWB parts layout (Bottom side)



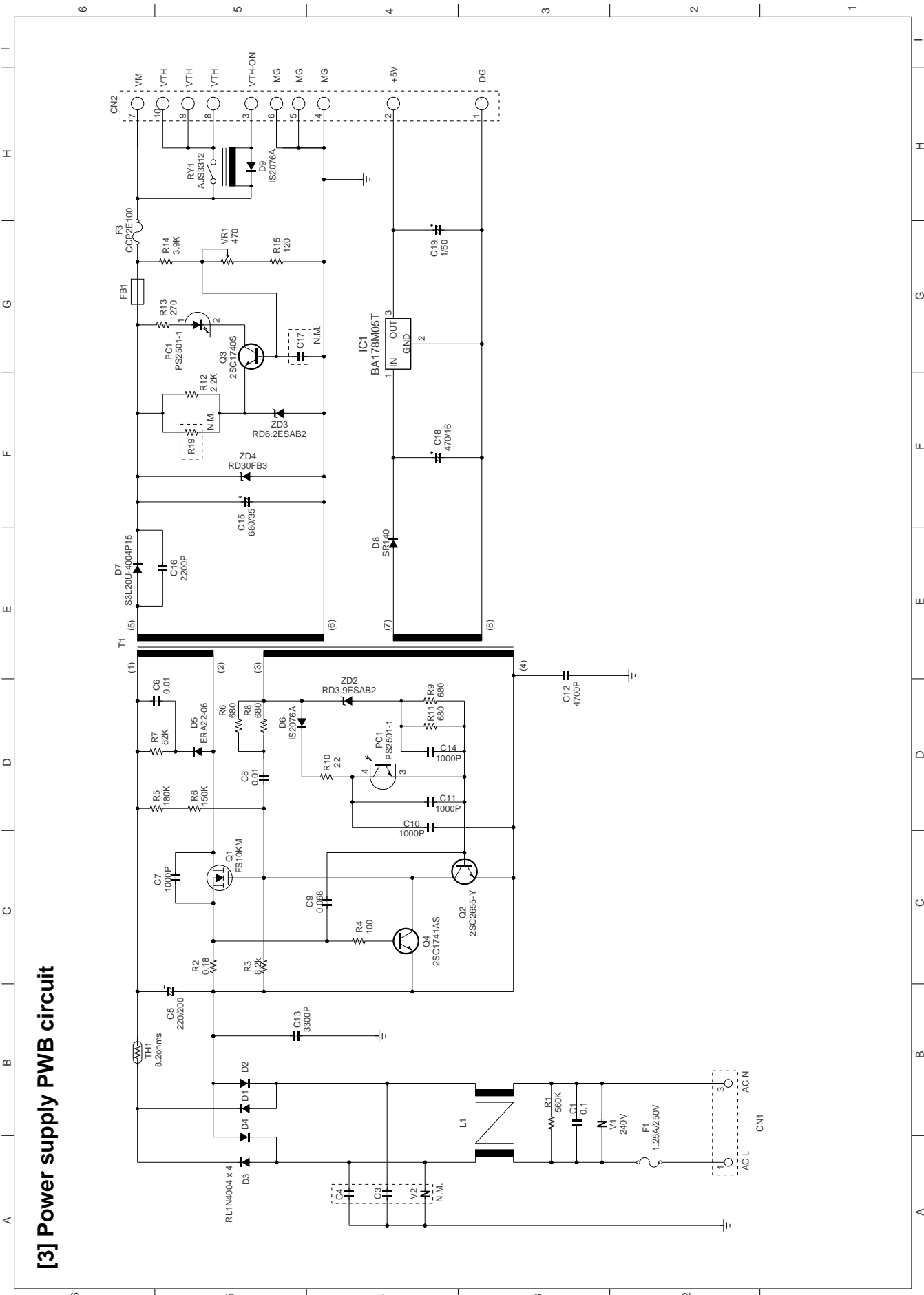
[2] TEL/LIU PWB circuit



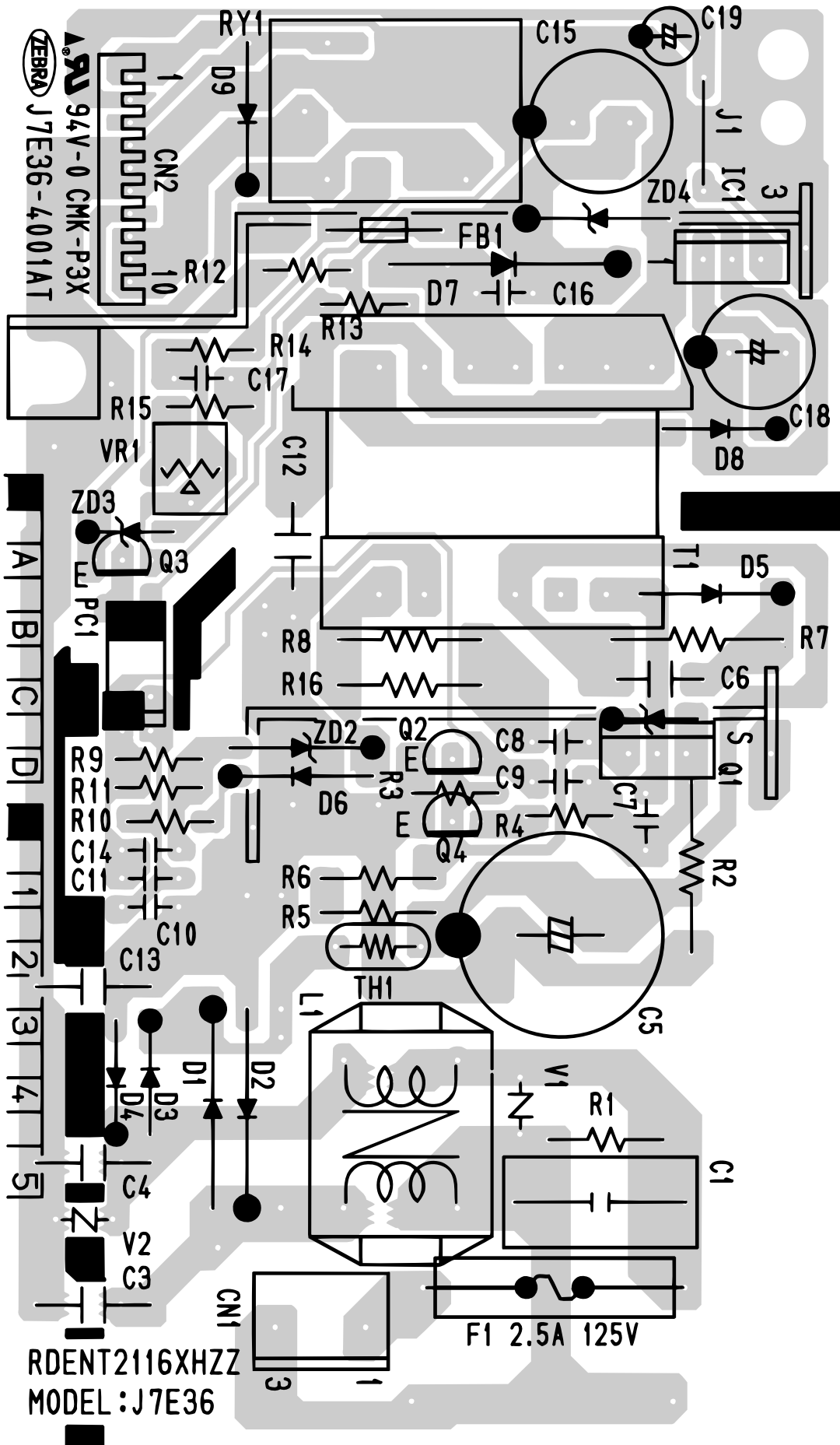
TEL/LIU PWB parts layout



[3] Power supply PWB circuit

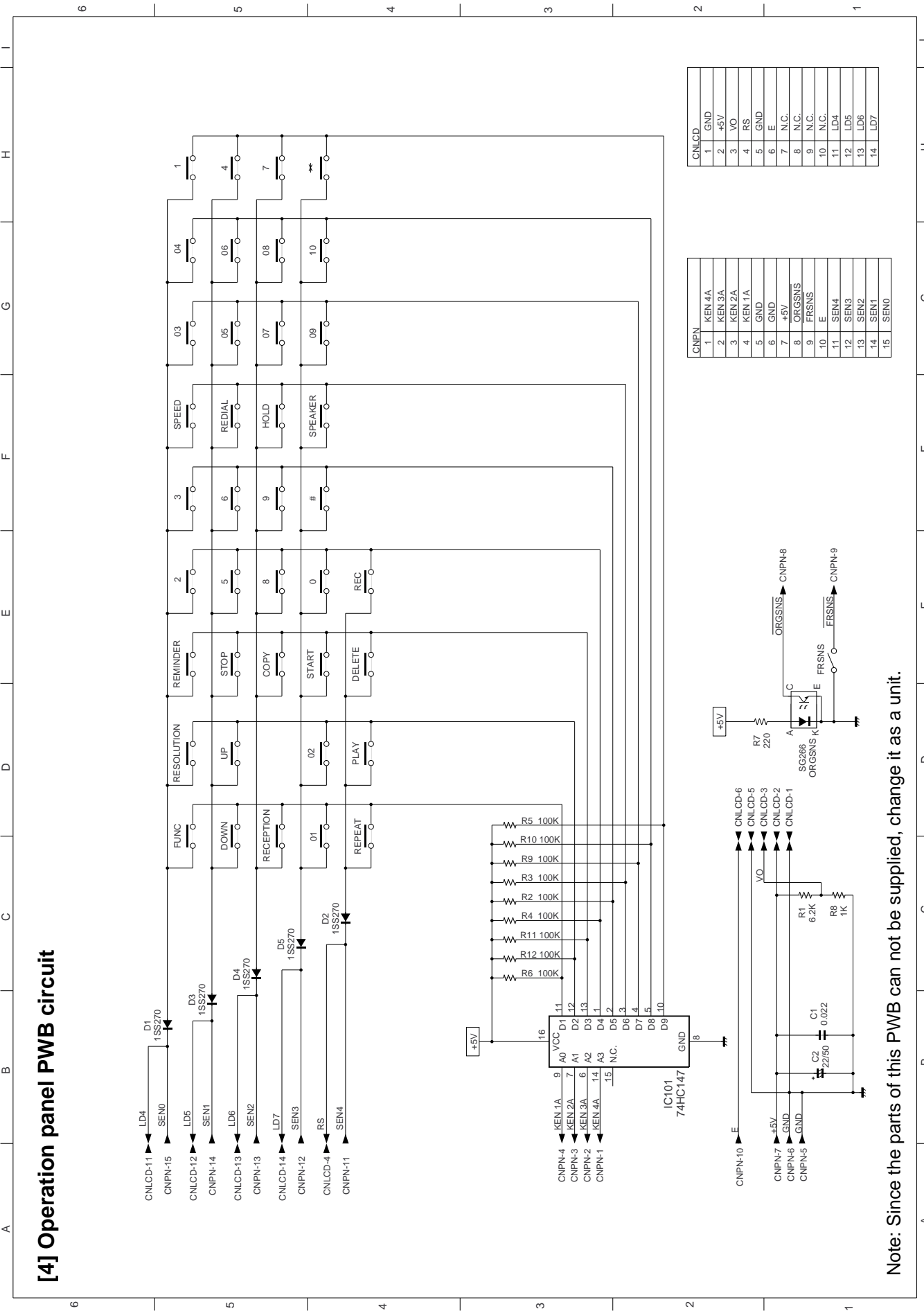


Power supply PWB parts layout



RDENT2116XHZZ
MODEL: J7E36

[4] Operation panel PWB circuit



CNPN	Function
1	KEN 4A
2	KEN 3A
3	KEN 2A
4	KEN 1A
5	GND
6	+5V
7	ORGSNS
8	FRSNS
9	E
10	SEN4
11	SEN3
12	SEN2
13	SEN1
14	SEN0
15	SEN0

CNLCD	Function
1	GND
2	+5V
3	VO
4	RS
5	GND
6	E
7	N.C.
8	N.C.
9	N.C.
10	N.C.
11	LD4
12	LD5
13	LD6
14	LD7

Note: Since the parts of this PWB can not be supplied, change it as a unit.